

Model SSJ-AE



*Shown with options

**OLE HICKORY
PITS**

WOOD BURNING BARBECUE PITS

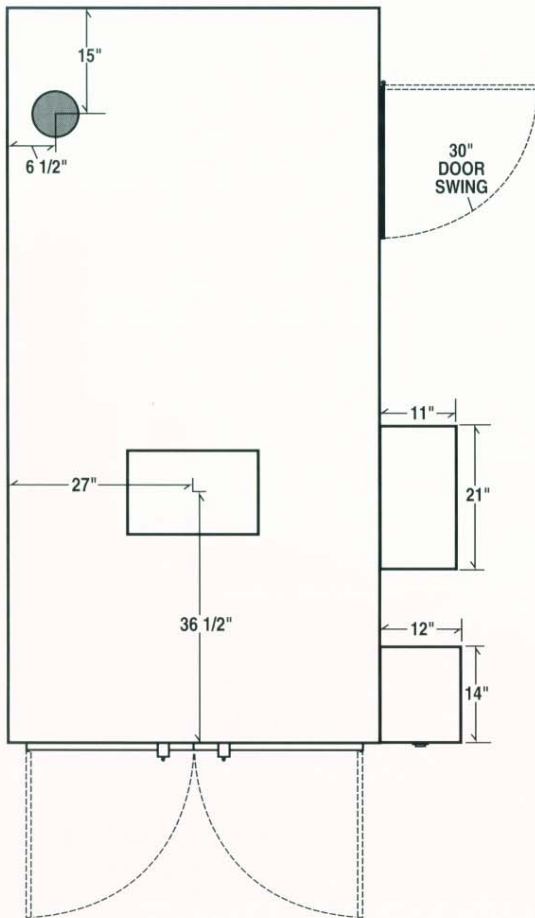
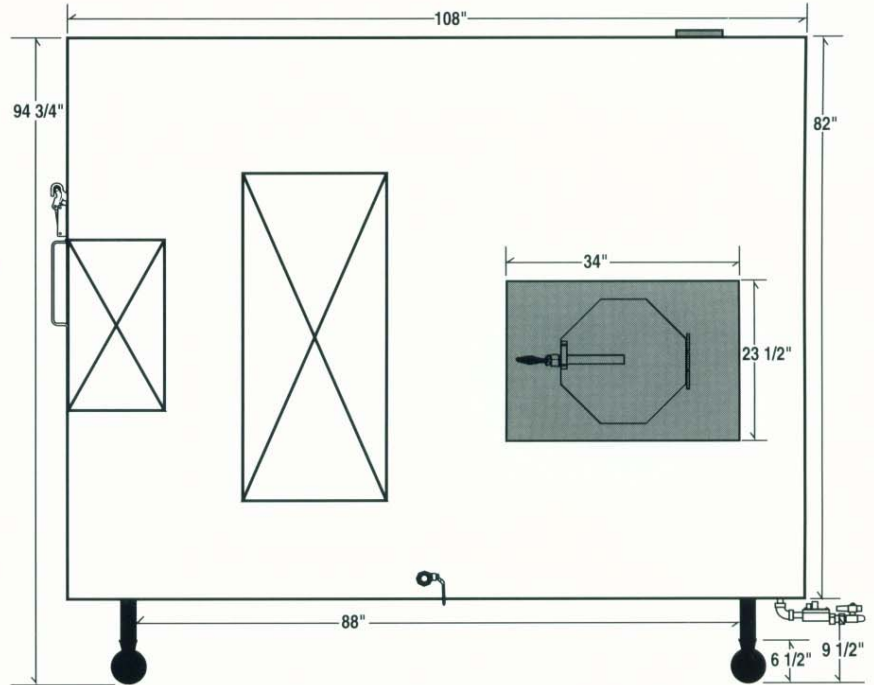
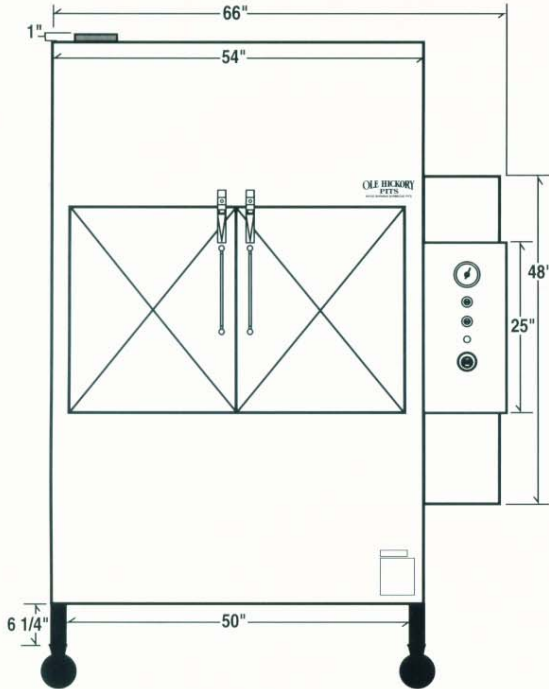
Revolving Racks: (30) 12" x 42", Cooking Surface: 105 Sq. Ft.

1-800-223-9667

333 North Main Street ~ Cape Girardeau, MO

Email: main@olehickorypits.com ~ Website: www.olehickorypits.com

MODEL SSJ-AE



Construction: **Heavy Duty 12 Gauge Steel Interior** (100% welded & inspected seams) **Tubular Steel Frame**, 22 gauge stainless steel exterior, **Mineral Wool Insulation- rated 1200 degrees F. (contains no asbestos or Fiberglass)**

Electrical: 110 Volts, 60HZ, Single Phase, 15 Amp - **AVOID NON-GROUNDED EXTENSION CORDS.**

Gas Burners: Two (2) 65,000 BTU Burners with Electronic ignition, available in L.P. or Natural Gas.

Firebox: Two (2) regular fireplace size logs will last for up to 6 hours of cooking. Air over firebox circulation.

Temperature Range: Thermostat control range 100 degrees F. to 325 degrees F.

Upper Limit Control Switch: Extra Safety Feature.

Dial Thermometer: **2 1/2" Diameter.**

Heavy Duty Foot Switch: Rotisserie Advance.

Casters: **Four (4) Heavy Duty, ETL Approved.**

Convection System: **Two (2) 1/4 HP motors** with 10" fan blades provide a mix of both heat and smoke for product consistency.

Flue: 6" diameter.

Grease Drain: 2" Pipe with 2" Ball Valve.

Weight: **3300 lbs, uncrated.**

Rotisserie: **30 Racks, 12" X 42", 105 Sq. Ft. Cooking Surface.** Nickel-chrome (stainless available at extra cost) Removable for easy cleaning.

Rotisserie Drive: Heavy Duty 1/4 HP Motor - long lasting double roller chain drive system utilizing gear reduction.

