

# Model EL-ED



\*Shown with options

**OLE HICKORY  
PITS**

WOOD BURNING BARBECUE PITS

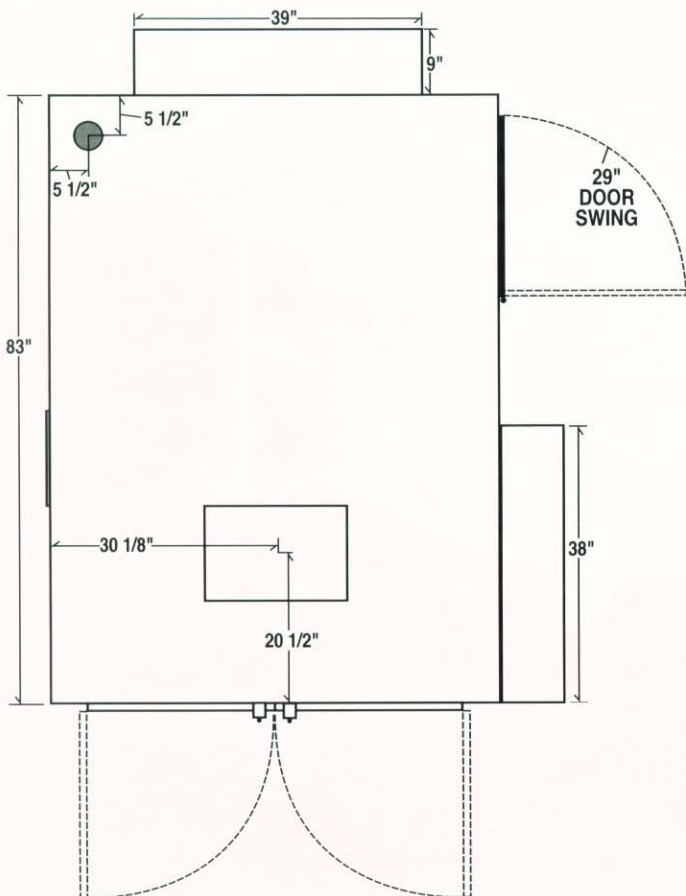
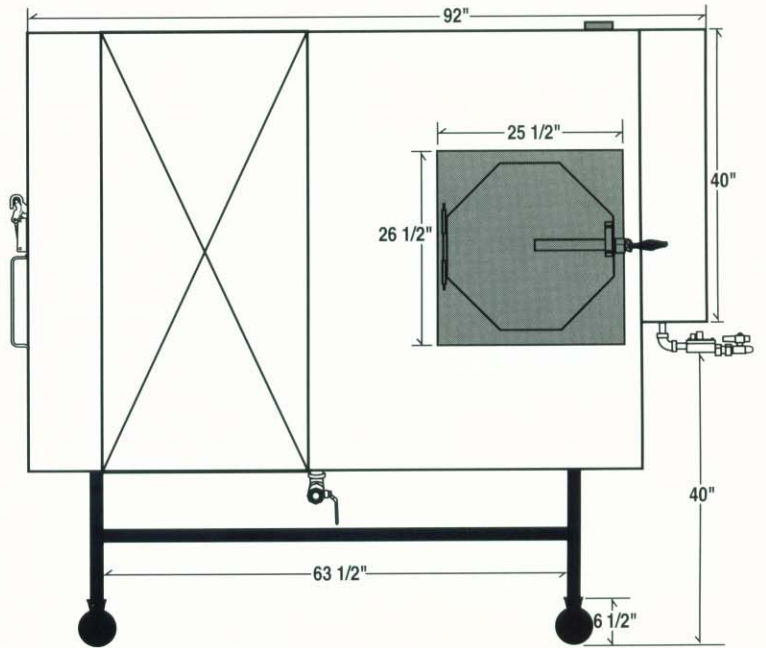
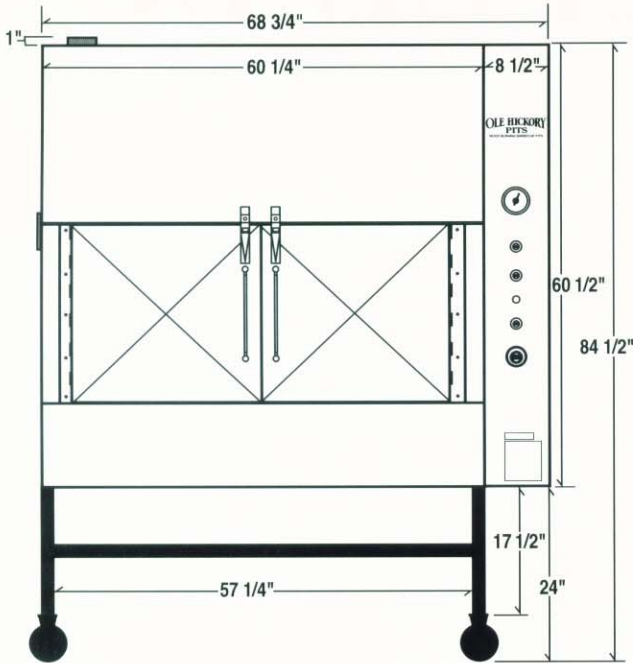
Revolving Racks: (18) 12" x 48", Cooking Surface: 72 Sq. Ft.

1-800-223-9667

333 North Main Street ~ Cape Girardeau, MO

Email: [main@olehickorypits.com](mailto:main@olehickorypits.com) ~ Website: [www.olehickorypits.com](http://www.olehickorypits.com)

# MODEL EL-ED



**Construction:** *Heavy Duty 12 Gauge Steel Interior* (100% welded & inspected seams) *Tubular Steel Frame*, 22 gauge stainless steel exterior. *Mineral Wool Insulation- rated 1200 degrees F. (contains no asbestos or Fiberglass)*

**Electrical:** 110 Volts, 60HZ, Single Phase, 15 Amp - AVOID NON-GROUNDED EXTENSION CORDS.

**Gas Burner:** 65,000 BTU Burner with Electronic ignition, available in L.P. or Natural Gas.

**Firebox:** Two (2) regular fireplace size logs will last for up to 6 hours of cooking. Air over firebox circulation.

**Temperature Range:** Thermostat control range 100 degrees F. to 325 degrees F.

**Upper Limit Control Switch:** Extra Safety Feature.

**Dial Thermometer:** 2 1/2" Diameter.

**Heavy Duty Foot Switch:** Rotisserie Advance.

**Casters:** Four (4) Heavy Duty, ETL Approved.

**Convection System:** Two (2) 1/4 HP motors with 10" fan blades provide a mix of both heat and smoke for product consistency.

**Flue:** 4" diameter.

**Grease Drain:** 2" Pipe with 2" Ball Valve.

**Weight:** 2600 lbs, uncrated.

**Rotisserie:** 18 Racks, 12" X 48", 72 Sq. Ft. Cooking Surface. Nickel-chrome (stainless available at extra cost) Removable for easy cleaning.

**Rotisserie Drive:** Heavy Duty 1/4 HP Motor - long lasting chain drive system utilizing gear reduction.

